

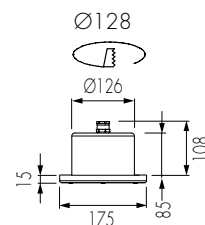
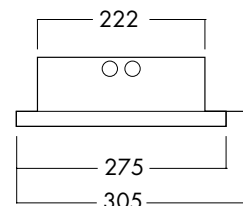
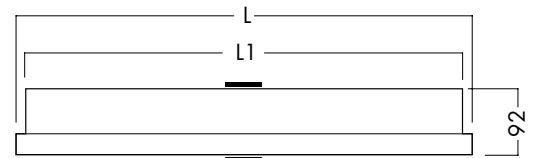
TL1 1-R222 LED

Luminaire for recessed installation M300



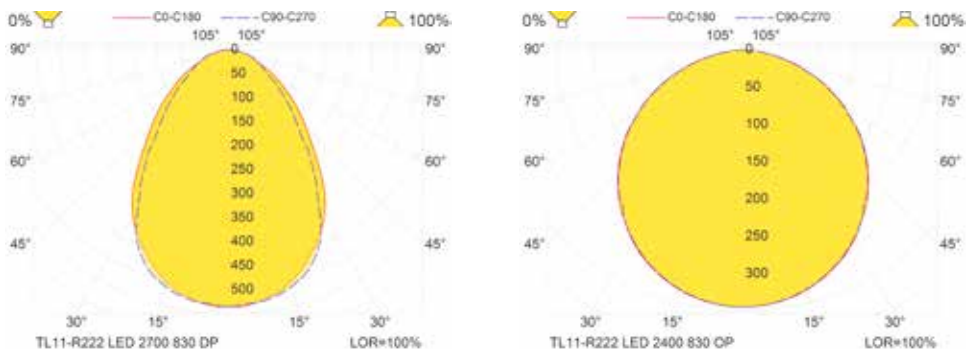
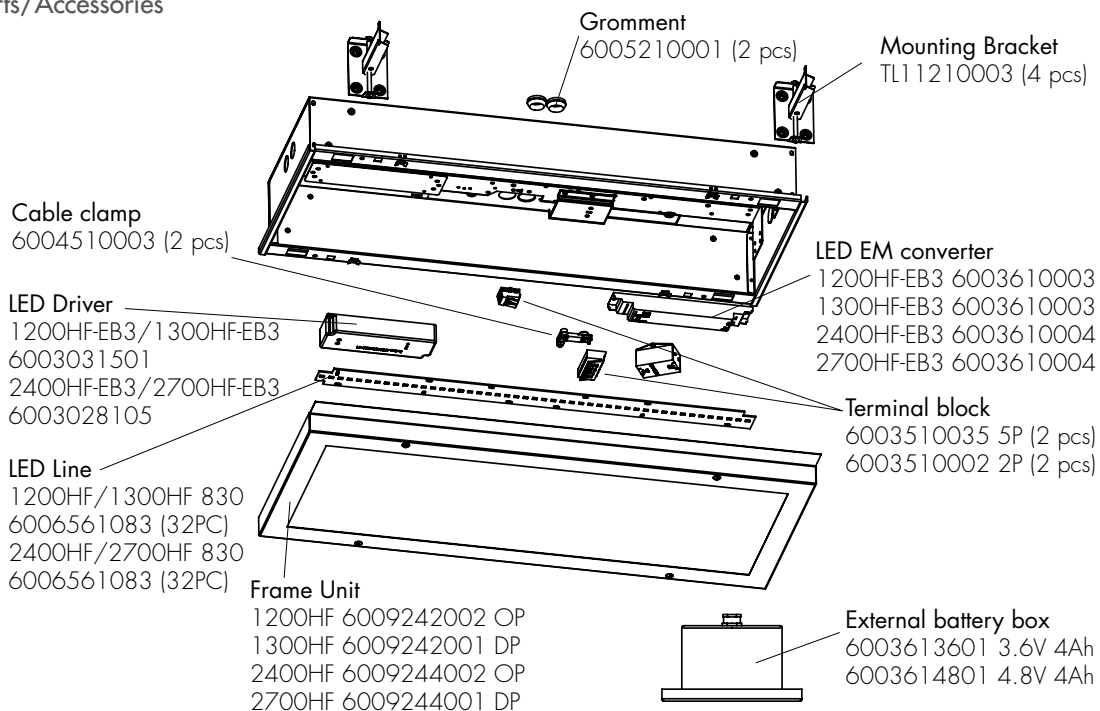
- LED energy and maintenance saving
- Luminaire for recessing into shadow panel ceiling Dampa M300
- Robust steel luminaire
- Ingress protection classification IP44

Application	For recessed installation in solid ceilings where IP44-rating is required
Design	According to maritime requirements
Housing	Steel housing and steel frame optic that fits to housing with screws
Finish	Powder coated white RAL9016
Optic	Double prismatic (DP) or Opalic (OP) plastic sheet in steel frame (IP44)
Electric	With electronic driver HF, with analogue dimming HF Da 1-10V or with emergency HF-E8. External battery box to be ordered separately. DALI on request.
Light source	LED 830, 840 or 850 on request
Mounting	To be installed in ceiling cut out with adjustable suspension brackets that is included.
Connection	Two holes Ø20.5 mm with rubber grommet on top, and two knock outs Ø20.5 mm in each end. One 5-way push in terminal block, 2 x 2.5 mm ² .
Remarks	Emergency battery box to be ordered separately



Cut out measure
external battery box Ø128

Spare Parts/Accessories



Product	HF	HFDa	HF-EB3	HF-EB3	L	LI	Weight HF/HFDa	Weight HF-EB		Lamp code
	100/240V	220/240V	220/240V	120V	mm	mm		220/240V	120V	
TL11-R222 LED 1400 830 DP	TL22283101	TL22283201	TL22283401	TL22283411	653	625	5	5.1	6.1	LED
TL11-R222 LED 1200 830 OP	TL22283102	TL22283202	TL22283402	TL22283412	653	625	5	5.1	6.1	LED
TL11-R222 LED 2700 830 DP	TL22483101	TL22483201	TL22483401	TL22483411	1261	1236.5	8.6	8.8	10.6	LED
TL11-R222 LED 2400 830 OP	TL22483102	TL22483202	TL22483402	TL22483412	1261	1236.5	8.6	8.8	10.6	LED

Accessories	Part-No.	
TL11-R EB3 battery box 1200/1500 3.6V 4Ah	6003613601	1.39
TL11-R EB3 battery box 2400/ 2800 4.8V 4Ah	6003614801	1.52

Complete assortment on www.glamox.com/gmo